



DYNATRON

The Thermal Solution Architect

WWW.DYNATRON-CORP.COM

Product Spec Sheet

B4A

Table of Contents

1. Product Description	3
2. Thermal Performance Curve	3
3. DM Drawing	4
4. EP Drawing	5
5. RoHS Certificate.....	6

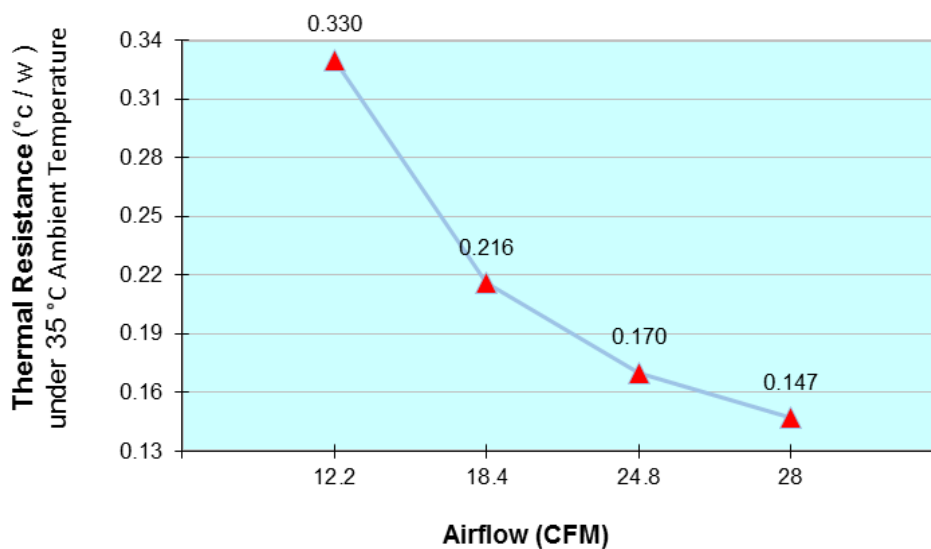
Application :

- Recommend for Intel® Xeon® Platinum / Gold Family Processor (products formerly Skylake), Socket FCLGA3647
- **For Narrow ILM Only**
- Passive Cooler for 1U Server

Overall Specification :

- Dimension: 108 x 81 x 27 mm
- Weight: 480 g
- Material: Copper1100 Stacked Fin Heatsink with Vapor Chamber Base
- Convenient Heat Sink Screw captive mounting
- Thermal Grease Shin-Etsu 7762 or Equivalent
- Includes both Fabric and Non-Fabric Package Carriers

Passive Cooler B4A Thermal Performance Curve



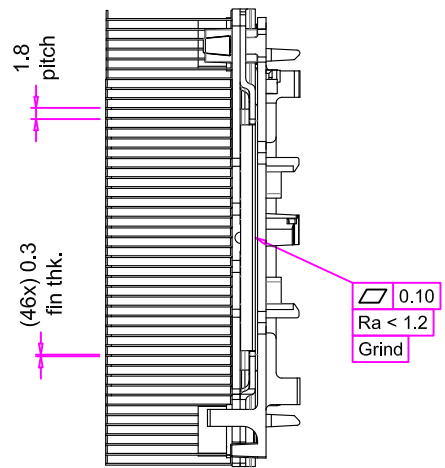
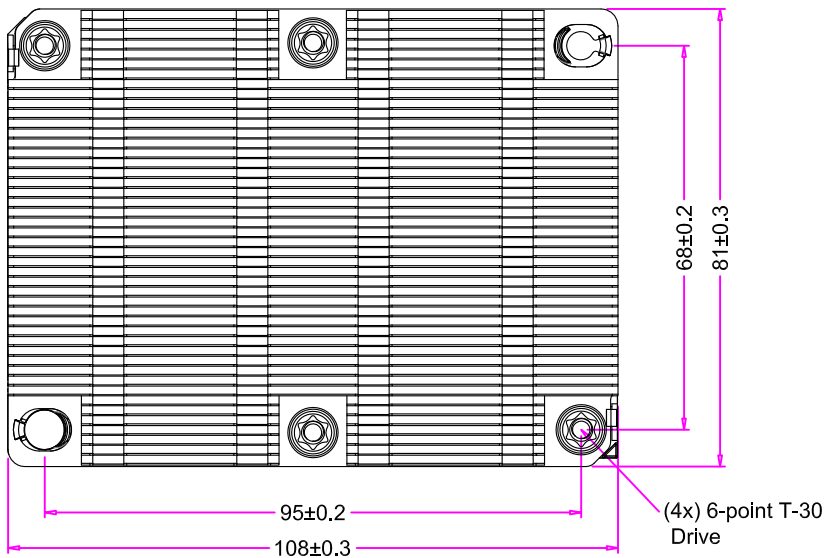
1 2 3 4 5 6 7

REV#	DESCRIPTION	CHECKER	DATE
0.0	INITIAL RELEASE	LANG	08/31/2017

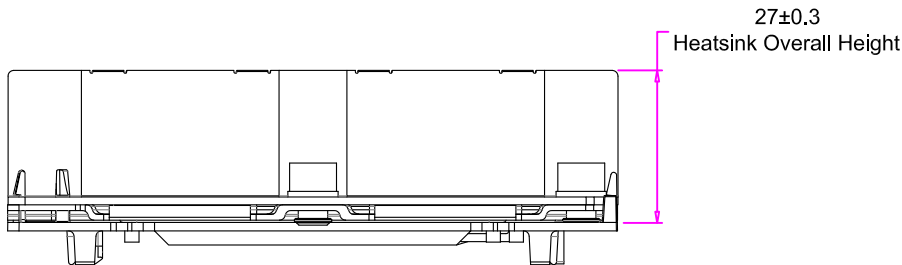
A

B

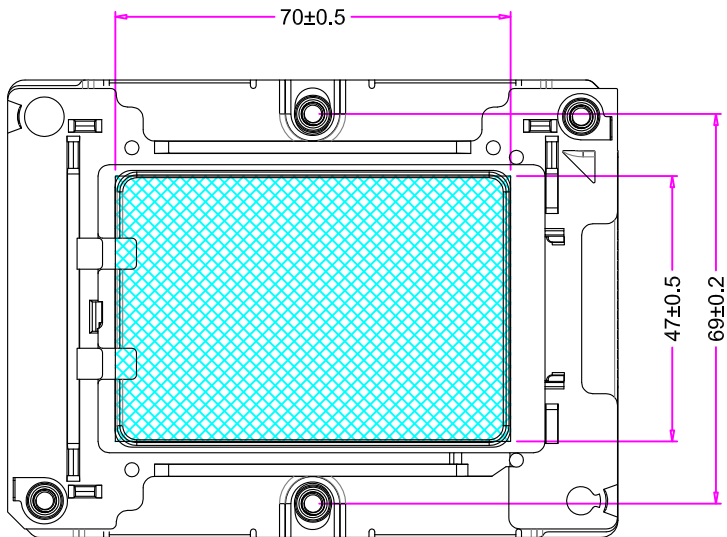
C



D



E



F

G

Note :
Model B4A with Fabric Package Carrier Attached

	NAME	DATE
DRAWN BY	engr	08/31/2017
CHECKED BY	LANG	08/31/2017
ENG. APPROVED		
MFG. APPROVED	-	-



DYNATRON CORPORATION

TOP MOTOR

TITLE: 1U Vapor Chamber Passive Cooler Model **B4A**
Overall Dimension Drawing

CONFIDENTIAL DOCUMENT

THIS DRAWING CONTAINS INFORMATION PROPRIETARY TO DYNATRON CORPORATION AND DYNAEON INDUSTRIAL CO., LTD. ANY REPRODUCTION, DISCLOSURE, OR USE OF THIS DRAWING IS EXPRESSLY PROHIBITED EXCEPT AS DYNATRON CORPORATION AND DYNAEON INDUSTRIAL CO., LTD. MAY OTHERWISE AGREE TO IN WRITING.

VIEW	
UNITS	MM

DWG. No:

DYN-DM-B4A

REV.
0.0

1 2 3 4 5 6 7

H

H

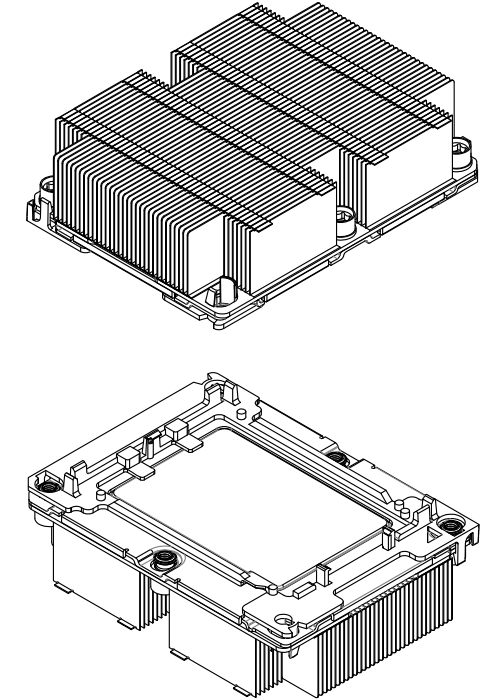
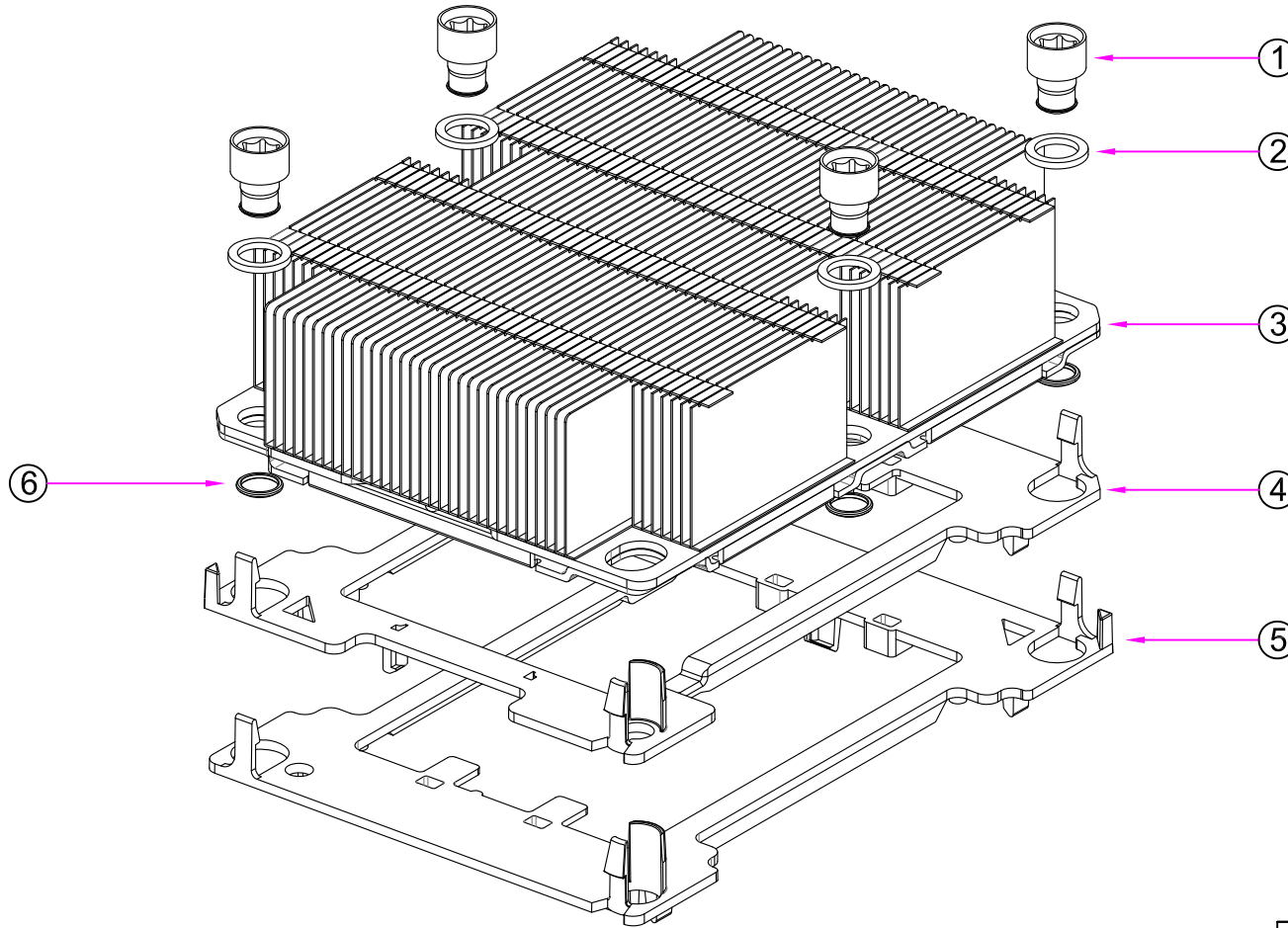
CONFIDENTIAL DOCUMENT

THIS DRAWING CONTAINS INFORMATION PROPRIETARY TO DYNATRON CORPORATION AND DYNAEON INDUSTRIAL CO., LTD. ANY REPRODUCTION, DISCLOSURE, OR USE OF THIS DRAWING IS EXPRESSLY PROHIBITED EXCEPT AS DYNATRON CORPORATION AND DYNAEON INDUSTRIAL CO., LTD. MAY OTHERWISE AGREE TO IN WRITING.

REV#	DESCRIPTION	CHECKER	DATE
0.0	INITIAL RELEASE	LANG	08/31/2017

ASSEMBLY PARTS


WHOLE SET OF HEATSINK



7	THERMAL GREASE, PRE-PRINTED	SHIN ETSU 7762	1
6	CALLAR	NYLON	4
5	PACKAGE CARRIER , NON-FABRIC	PLASTIC	1
4	PACKAGE CARRIER , FABRIC	PLASTIC	1
3	HEATSINK, VAPOR CHAMBER BASE RETENTION STACKED FINs	COPPER 1100, BASE & FIN SPCC RETENTION	1
2	WASHER, 1.0 mm	PLASTIC	4
1	HEATSINK NUT, M4	SS316 ANNEALED	4
ITEM#	DESCRIPTION	MATERIAL	QTY.

NOTES:

1. THE FIGURE IS FOR REFERENCE ONLY, AND NOT FOR SCALE
2. OVERALL DIMENSION : 108 x 81 x 27 mm
3. OVERALL WEIGHT : 480 g

	DATE	NAME	 DYNATRON CORPORATION
DRAWN	08/31/2017	Engr	
CHECKED	08/31/2017	LANG	TITLE:
ENG. APPR.			1U Passive Cooler B4A
MFG. APPR.			BOM & Exploded Assembly Drawing
O.A.			
COMMENTS:			DWG. No:
			DYN-EP-B4A
			REV
			0.0



Certificate of Environment Protection

環保證明書

Customer: 客戶名稱:	Company: _____ Address: _____ Phone Number: _____ - _____ - _____
Issue Date:	08/31/2017
Product Model Number:	B4A
<p>Dynatron Corporation hereby declares and certifies that all components manufactured are RoHS compliant according to the definitions and restrictions given by the European Union's Restriction (Directive 2002/95/EC) (Decision2011/65/EU)RoHS 2, on the restriction of the use of certain Hazardous Substances in the electrical and electronic equipment. Also, compliance to the most recent list of substances on the REACH candidate list.</p> <p>Number of substances on the Candidate List: 168 (last updated: 17/12/2015)</p> <p>No exemptions are claimed in order for the part to be compliant with the RoHS directive.</p> <p>Dynatron Corporation / 政久興業股份有限公司證明所有產品,零件 (包括附屬品, 包裝類) 之環境管理物質完全符合 RoHS, WEEE, 及該環保標準之規定, 並承諾遵循以上之證明.</p> <p style="text-align: right;">Dynatron Corporation. 33200 Western Ave, Union City, CA 94587 www.Dynatron-corp.com</p> <p>Title (職務): _____ ASSISTANT-MANAGER _____</p> <p>Signature (簽字): _____ <i>Alan Lee</i> _____</p> <p style="text-align: right;">Date: 08 / 31 / 2017</p>	

Document Number: RH_B4A-R0